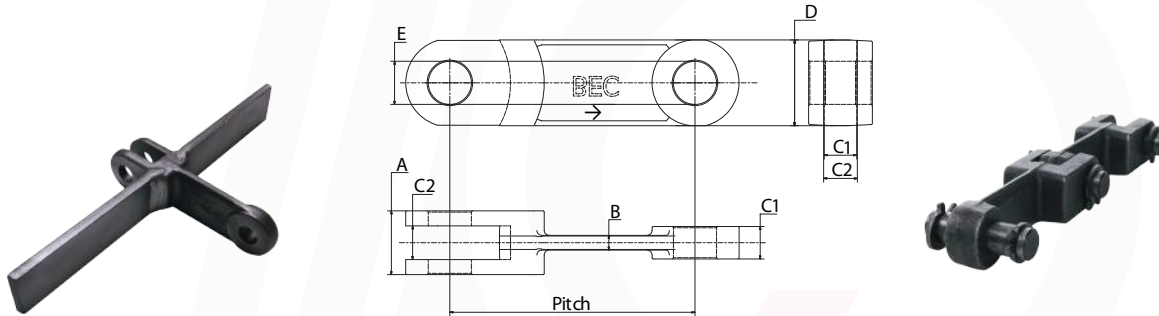




Drop forged chain

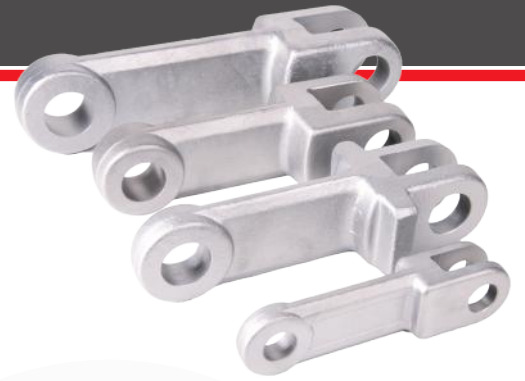
The drop forged chains supplied by Bechtel are made of heat treated high grade alloy steel. These links can be equipped with plastic or steel scrapers. The following table shows various types of drop forged chains, together with the respective breaking loads and core/surface hardness.



Bechtel drop forged chain (Sizes in mm)

| Pitch | A | B | C1 | C2 | D | E | Breaking loads available ex stock | |
|-------|----|----|----|----|----|----|-----------------------------------|-----------------|
| | | | | | | | 58 HRC case hardened | 40 HRC hardened |
| 102 | 32 | 10 | 14 | 15 | 36 | 18 | 150 kN | |
| 102 | 27 | 11 | 12 | 13 | 36 | 16 | | 170 kN |
| 102 | 28 | 8 | 12 | 13 | 36 | 14 | 130 kN | 180 kN |
| 102 | 24 | 6 | 8 | 9 | 36 | 14 | 100 kN | |
| 125 | 36 | 10 | 15 | 16 | 36 | 16 | | 140 kN |
| 142 | 42 | 13 | 19 | 20 | 50 | 25 | 250 kN | 350 kN |
| 142 | 54 | 16 | 25 | 26 | 50 | 25 | 300 kN | 380 kN |
| 142 | 62 | 15 | 29 | 30 | 50 | 25 | 350 kN | 600 kN |
| 150 | 36 | 13 | 15 | 16 | 50 | 25 | | 200 kN |
| 150 | 36 | 13 | 15 | 16 | 50 | 25 | | 300 kN |
| 150 | 36 | 13 | 15 | 16 | 50 | 25 | | 400 kN |
| 160 | 42 | 13 | 20 | 21 | 46 | 20 | | 300 kN |
| 160 | 50 | 14 | 25 | 26 | 50 | 25 | 300 kN | 380 kN |
| 175 | 62 | 15 | 29 | 30 | 50 | 25 | | 600 kN |
| 200 | 68 | 18 | 30 | 31 | 60 | 30 | 500 kN | |
| 200 | 70 | 24 | 30 | 31 | 60 | 30 | | 700 N |
| 250 | 70 | 20 | 30 | 33 | 70 | 32 | | 750 N |
| 260 | 70 | 20 | 30 | 33 | 70 | 32 | 600 kN | |

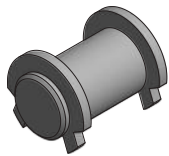
Chain material: 20MnCr5, 42CrMo4, V2A, V4A, 1.4713. The breaking load depends on the respective material.



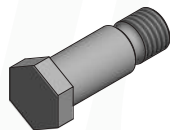
Pins

Pins for drop forged chains are available in material:

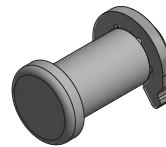
16MnCr5, 42CrMo4i, 1.4034i, 1.4122i, 1.4462, 1.4713. Other materials on request.



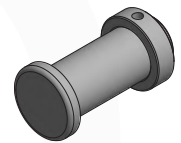
circlip



hex pin with thread



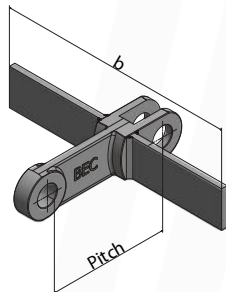
head pin with circlip



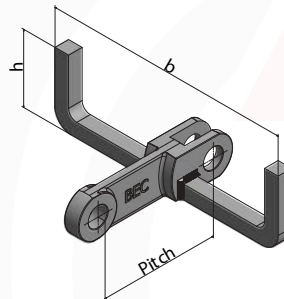
head pin with collar and dowel pin

Example of scrapers

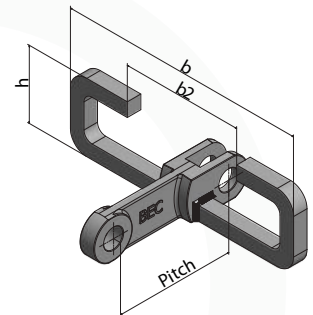
Bechtel can supply all kinds of scrapers. Whether it is horizontal, inclined or vertical transport, there is a special version for every type of transport and a solution for every capacity. Below you will find a number of examples of steel scrapers and plastic flights.



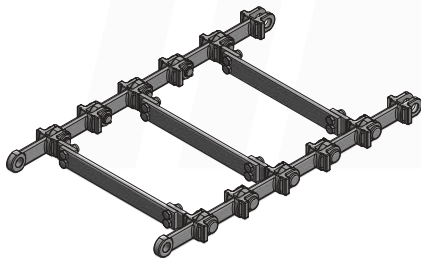
Horizontal transport



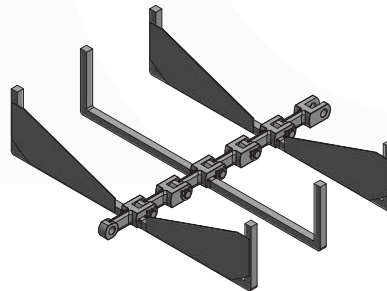
"U" scraper for inclined transport



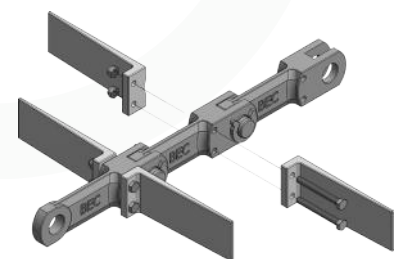
"O" scraper for vertical transport



Double drop forged chain scraper



"U" scraper with welded plates



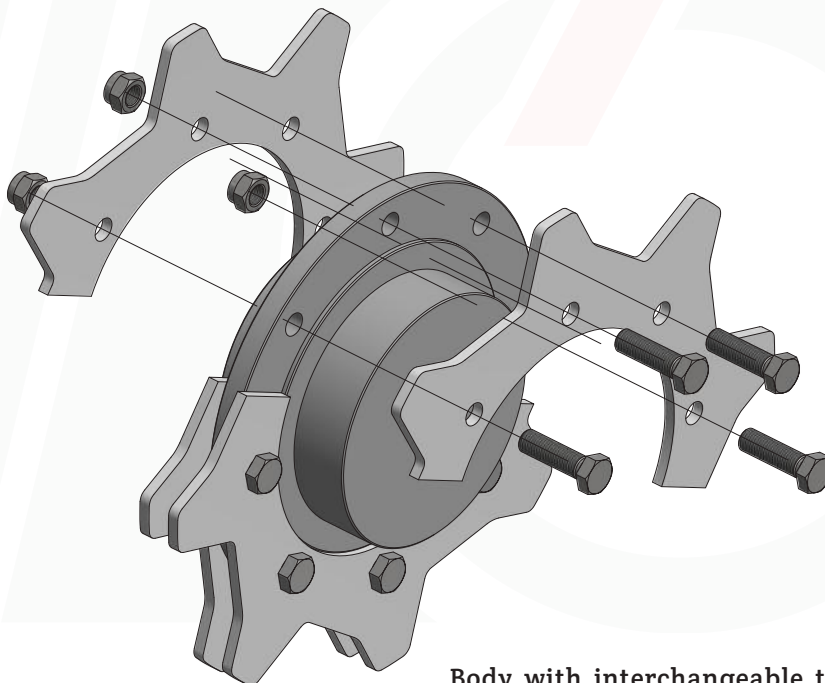
Easy to (dis)assemble plastic flights

Sprocket drop forged chain

Sprockets for drop forged chain consist of a body with symmetrical hub and interchangeable teeth segments. This has the advantage that, when the sprockets wear out, only the wear-resistant teeth segments need to be replaced. Sprockets can be made to your specifications on request. The following versions are available ex stock.

Sprockets for drop forged chain available ex stock (parameters in mm)

| Pitch | Pitch \emptyset / number of segments per complete set | | | | |
|-------|---|------------------------|------------------------|------------------------|-------------------------|
| | 6 teeth | 7 teeth | 8 teeth | 9 teeth | 10 teeth |
| 102 | \emptyset 204,00 / 4 | \emptyset 235,09 / 4 | \emptyset 265,49 / 4 | \emptyset 298,23 / 4 | \emptyset 330,08 / 4 |
| 125 | \emptyset 250,00 / 4 | \emptyset 288,10 / 4 | \emptyset 326,64 / 4 | \emptyset 365,48 / 4 | \emptyset 404,51 / 4 |
| 142 | \emptyset 284,00 / 4 | \emptyset 327,28 / 4 | \emptyset 371,06 / 8 | \emptyset 415,18 / 6 | \emptyset 459,52 / 4 |
| 150 | \emptyset 300,00 / 6 | \emptyset 345,71 / 4 | \emptyset 391,97 / 8 | \emptyset 438,57 / 4 | \emptyset 485,42 / 10 |
| 160 | \emptyset 320,00 / 4 | \emptyset 368,76 / 4 | \emptyset 418,10 / 8 | \emptyset 467,81 / 4 | \emptyset 517,77 / 4 |
| 200 | \emptyset 400,00 / 4 | \emptyset 460,95 / 4 | \emptyset 522,62 / 8 | \emptyset 584,76 / 4 | \emptyset 647,21 / 4 |



Body with interchangeable teeth segments. (8 teeth)