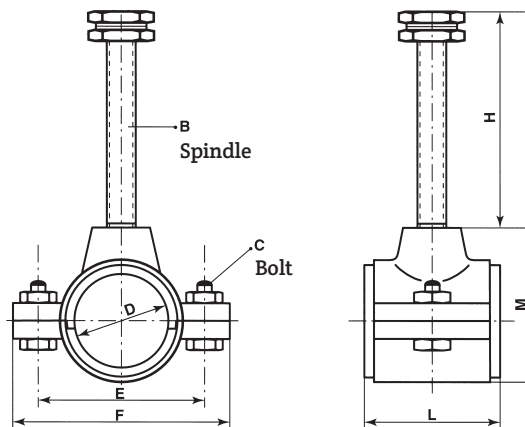




Adjustable hanging bearings

Adjustable hanging bearings produced by Bechtel are fully available ex stock in shaft sizes of 40, 50, and 60 mm. The bearings are made of cast iron, steel, bronze and stainless steel.

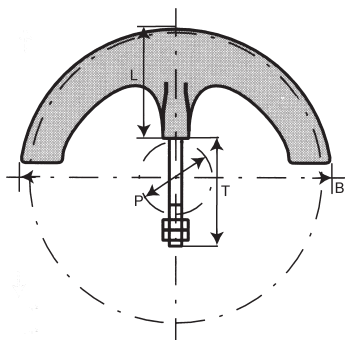
Larger shaft diameters or with special inserts (ertalone, nylon, bronze, teflon, PTFE, or acetal) are available on request.



Adjustable hanging bearings (parameters in mm)

D	F	E	L	M	H	B	C	weight
40	100	70	70	90	135	M 24	M10 x 45	1,9
50	125	94	75	110	200	M 24	M12 x 50	3,3
60	150	120	85	128	240	M 24	M16 x 65	5,0

Palets



Palets (parameters in mm)

Type	Pallet width	Pallet height	pipe Ø	thread	tapping length	number
		(B)	(L)	(P)	(T)	per meter
100	96	34	43	M 10	45	17
125	128	38	43	M 10	55	17
150	150	55	43	M 10	65	14
180	181	60	50	M 12	70	13
200	215	70	50	M 12	75	13
250	265	95	60	M 14	70	9
300	318	115	60	M 16	90	8
400	407	155	70	M 16	95	7