



Plastic flights

Our plastic flights are made of wear-resistant nylon and are flexible. As the chain is carried by the plastic flights, it eliminates the steel-on-steel contact, this will lead to saving energy and a considerable noise reduction. There are various kinds of flights available: Nylon, Nylon with Glassfiber reinforcement, Zytel and FDA-quality.

Nylon flights

- Reduce noise considerably,
- flexible / bendable under high pressure
- low frictional resistance, saving up to 20 % of the energy,
- less costly; less wear and tear of the bottom plate and the chain,
- eliminates the need for guiding and wearing strips,
- temperature resistant between -20 °C and + 70 °C,
- very quickly and easily assembled or replaced.

Nylon flights glass fiber reinforced

- Same qualities as the Nylon flights but more durable and less flexible for heavier duty.

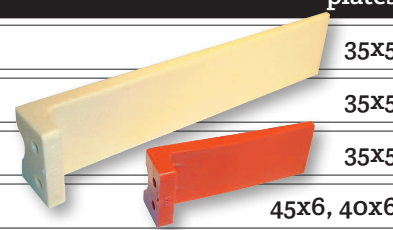
Zytel flights

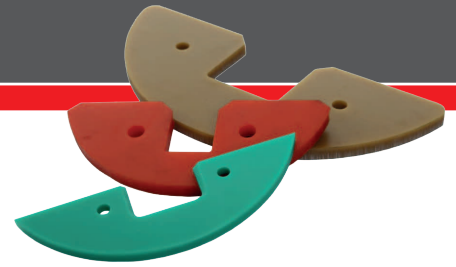
- Same qualities as the Nylon flights but temperature resistant between +70°C and +110°C.

FDA quality flights

- Same qualities as the Nylon flights but also suitable for food purposes.

Plastic flights (parameters in mm)			
Length x height	Cc. distance of the holes	Drop forged chain	Double drag link chain
		pitch	plates
117 x 45	20	102, 125, 160	35x5
137 x 45	20	102, 125, 160	35x5
170 x 45	20	102, 125, 160	35x5
162 x 55	25	-	45x6, 40x8
112 x 58	30	142, 150	50x6, 50x8
162 x 58	30	142, 150	50x6, 50x8
212 x 58	30	142, 150	50x6, 50x8
262 x 58	30	142, 150	50x6, 50x8
300 x 58	30	142, 150	50x6, 50x8



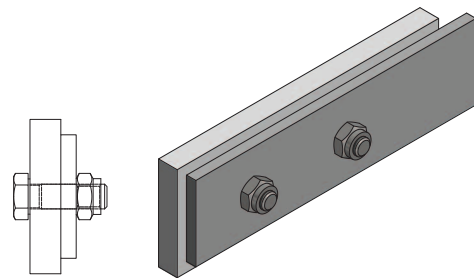


Plastic profiles

Plastic profiles are made out of different materials, such as: Nylon, PU, and UHMPE. These may be used as flights or as scrapers. The profiles are available in various different versions. This page shows the most common used models.

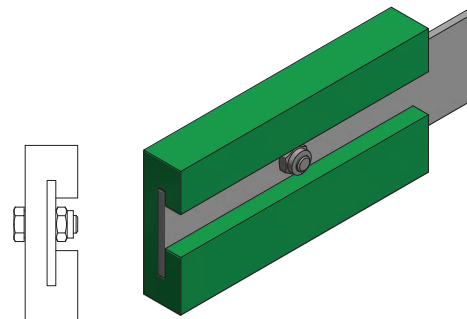
Cleaners

Plastic profile attached to the steel scraper.



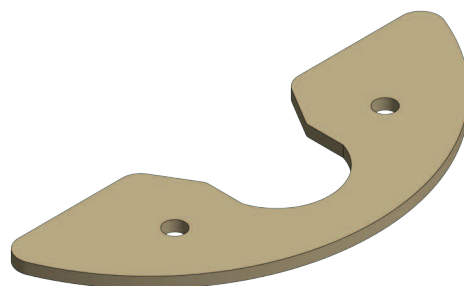
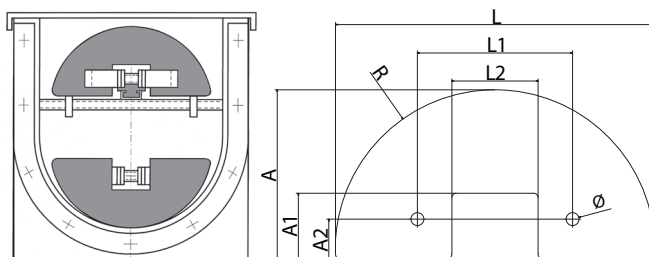
Profile C

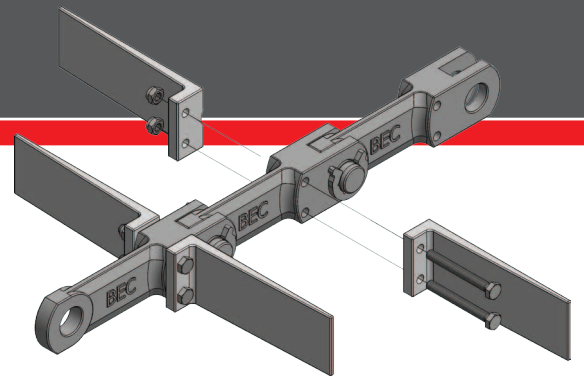
Plastic profile pushed over the steel scraper.



Half moon

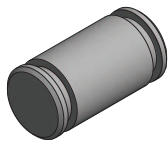
The so-called 'half moon' profile is attached to the steel scraper.



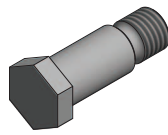


Bechtel - drop forged chain with easy to assemble plastic flights

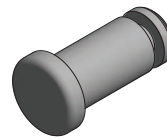
Pins



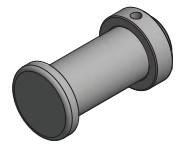
circlip



head pins with thread



head pin with circlip

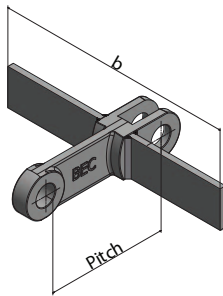


head pins with collar and dowel pin

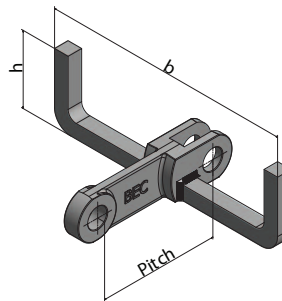
Pins for drop forged chains are available in material 16MnCr5, 42CrMo4i, 1.4034i, 1.4122i, 1.4462, 1.4713.

Example of welded scrapers

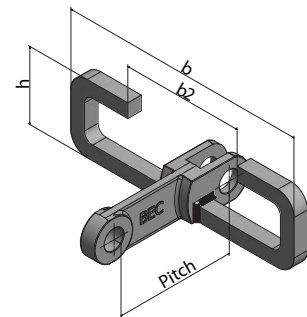
Special welded scrapers are available for horizontal, inclined, or vertical transport. In this context, the capacities are taken into consideration.



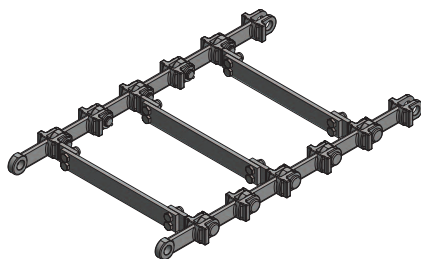
"BT" scraper for horizontal transport



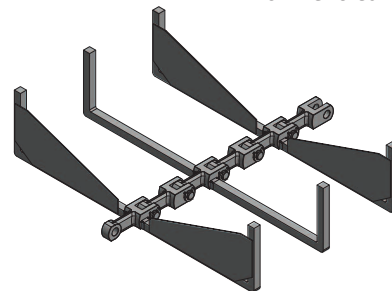
"U" scraper for inclined transport



"O" scraper for vertical transport



Double drop forged chain scraper



"U" scraper with welded plates